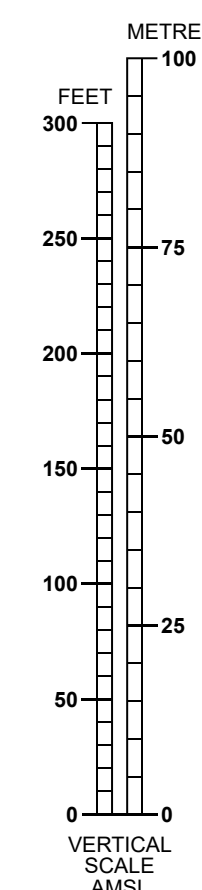
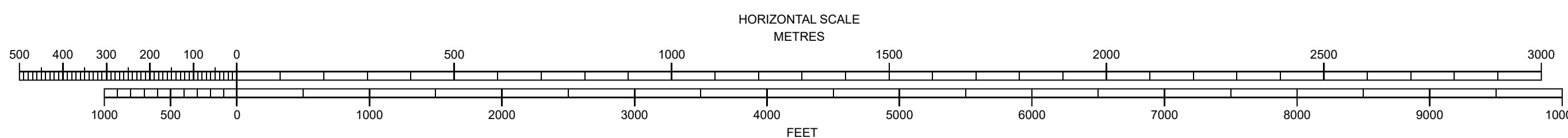
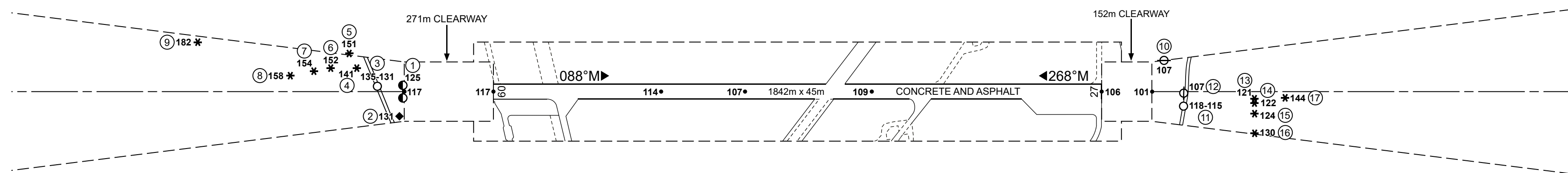
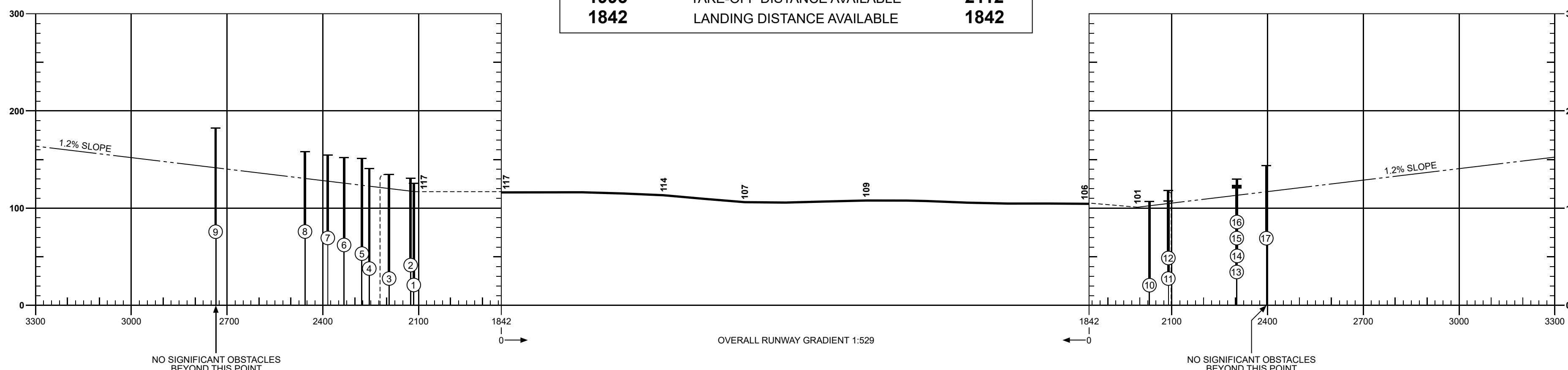


MAGNETIC VARIATION 1°E (2022)

RUNWAY 09-27

DECLARED DISTANCES		
RWY 09		RWY 27
1842	TAKE-OFF RUN AVAILABLE	1842
1842	ACCELERATE-STOP DISTANCE AVAILABLE	1842
1993	TAKE-OFF DISTANCE AVAILABLE	2112
1842	LANDING DISTANCE AVAILABLE	1842



Obstacle Number	Survey Number	Description	Latitude	Longitude	Altitude (M)	Altitude (ft)
1	1078	LLZ 27	524032.8727N	0011554.0140E	37.17	121.95
1a	1077	27 LLZ OBS LT	524033.2302N	0011553.9315E	38.20	125.33
2	1075	27 LLZ CABIN AERIAL	524030.4573N	0011553.5115E	39.80	130.58
3	1070	ROAD 4.8M	524033.3738N	0011549.8939E	41.00	134.51
3a	1069	ROAD 4.8M	524035.0597N	0011548.6347E	41.00	134.51
3b	1068	ROAD 4.8M	524035.6050N	0011548.3297E	39.90	130.91
4	1313	TREES	524035.1200N	0011546.5500E	42.91	140.78
5	1312	TREES	524036.5300N	0011545.2900E	46.04	151.05
6	1309	TREES	524035.0900N	0011542.3500E	46.33	152.00
7	1308	TREES	524034.7700N	0011539.6400E	47.07	154.43
8	1307	TREES	524034.3000N	0011535.8500E	48.21	158.17
9	1303	TREES	524037.4700N	0011520.8800E	55.59	182.38

Obstacle Number	Survey Number	Description	Latitude	Longitude	Altitude (M)	Altitude (ft)
10	1253	FENCE	524036.8574N	0011756.5587E	32.59	106.92
11	1256	ROAD 4.8M	524032.3964N	0011759.7912E	36.00	118.11
12	1255	FENCE	524033.6734N	0011759.8012E	32.67	107.19
11a	1257	ROAD 4.8M	524032.6571N	0011759.9276E	35.60	116.80
11b	1258	ROAD 4.8M	524033.8077N	0011800.2705E	35.20	115.49
13	1263	TREES	524033.2116N	0011811.1986E	36.85	120.90
14	1264	TREES	524032.7901N	0011811.2200E	37.20	122.05
15	1265	TREES	524031.7495N	0011811.2640E	37.65	123.52
16	1266	TREES	524029.8270N	0011811.3085E	39.54	129.72
17	1268	TREE	524033.3397N	0011816.1445E	43.78	143.64

LEGEND

	PLAN	PROFILE
IDENTIFICATION NUMBER	⑧	
HEIGHT AMSL	158	
BUILDING	◆	
ILS	⊙	
TREE, BUSH, HEDGE, ETC.	*	
FENCE	—○—	
MOBILE OBSTACLE	—○—	—○—

ORDER OF ACCURACY: Horizontal 3m; Vertical 1ft
 CHANGE: NEW SURVEY
 Aerodrome information current : SEPTEMBER 2024
 Based on survey dated : NOVEMBER 2023
 Chart effective date : 24 SEPTEMBER 2024

