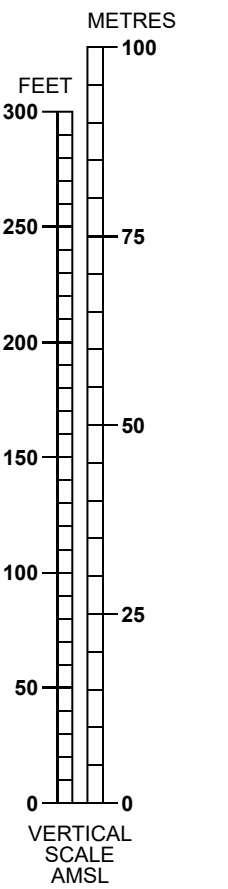
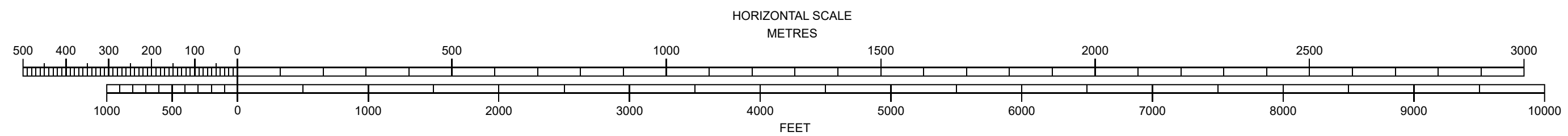
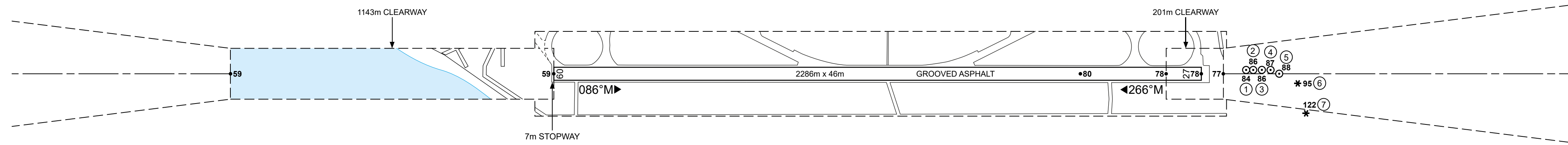
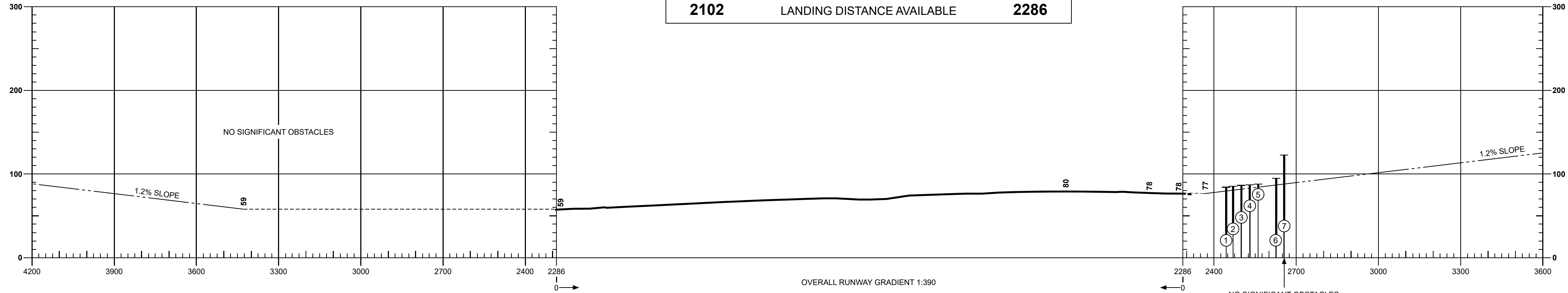


MAGNETIC VARIATION 1°W (2022)

RUNWAY 09-27

DECLARED DISTANCES		
RWY 09		RWY 27
2163	TAKE-OFF RUN AVAILABLE	2286
2163	ACCELERATE-STOP DISTANCE AVAILABLE	2292
2364	TAKE-OFF DISTANCE AVAILABLE	3429
2102	LANDING DISTANCE AVAILABLE	2286



Obstacle Number	Survey Number	Description	Latitude	Longitude	Altitude (M)	Altitude (ft)
1	1329	APPROACH LIGHT	532004.7255N	0024949.2762W	25.70	84.32
2	1334	APPROACH LIGHT	532004.7880N	0024947.9254W	26.07	85.53
3	1341	APPROACH LIGHT	532004.8699N	0024946.2830W	26.33	86.38
4	1349	APPROACH LIGHT	532004.9468N	0024944.6280W	26.60	87.27
5	1359	APPROACH LIGHT	532004.5852N	0024942.9262W	26.85	88.09
6	1804	TREE	532003.6415N	0024939.2555W	28.97	95.05
7	1876	TREE	532000.2949N	0024937.2294W	37.33	122.47

LEGEND

	PLAN	PROFILE
IDENTIFICATION NUMBER	⑤	 ⑤
HEIGHT AMSL	88	
POLE, TOWER, SPIRE, ANTENNA, ETC.	○	
TREE	*	

ORDER OF ACCURACY : Horizontal 3m; Vertical 1ft
CHANGE : NEW SURVEY
 Aerodrome information current : JUNE 2024
 Based on survey dated : DECEMBER 2023
 Chart effective date : 19 JUNE 2024

NATS

