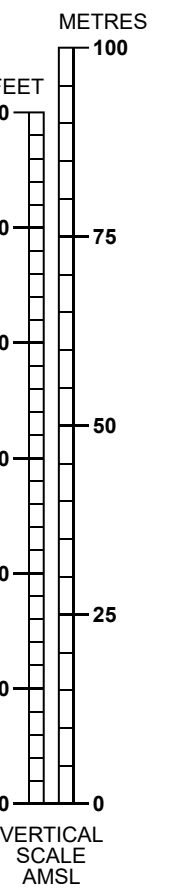
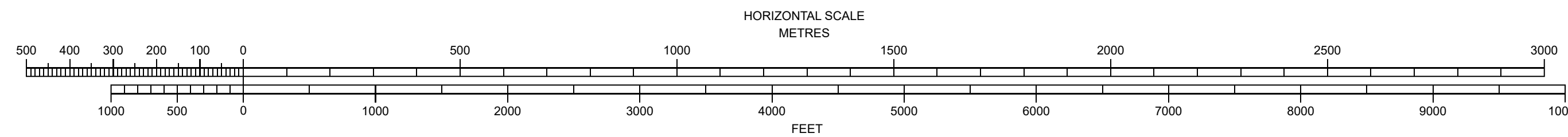
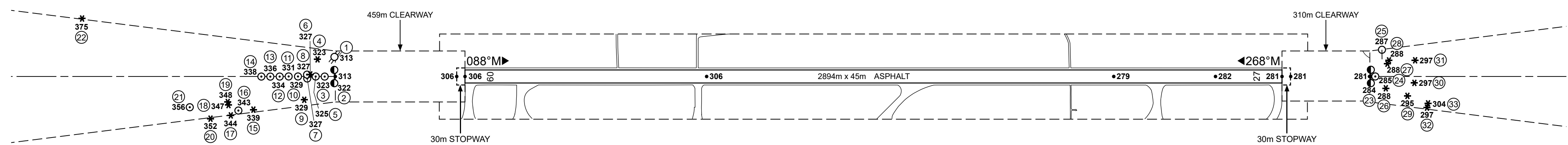
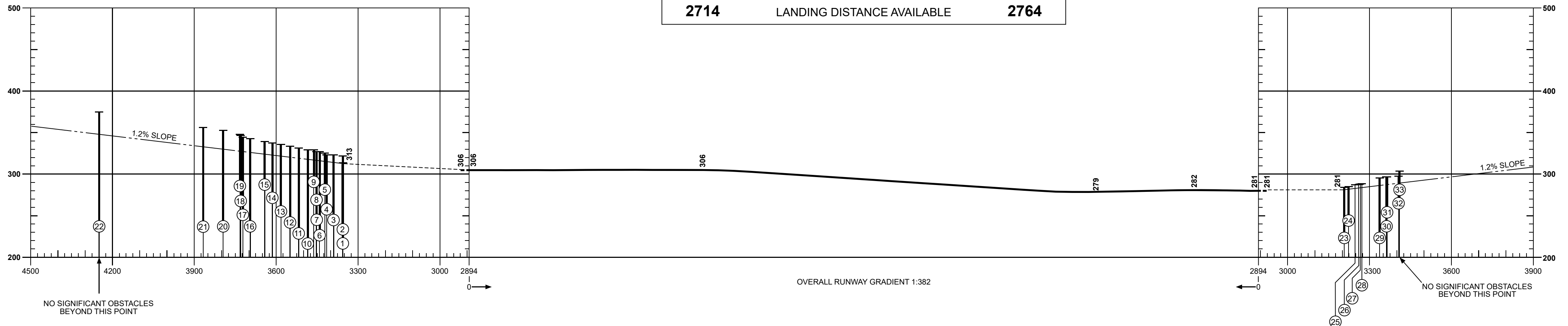


MAGNETIC VARIATION 0°W (2022)

**RUNWAY 09-27**

DECLARED DISTANCES		
RWY 09		RWY 27
2894	TAKE-OFF RUN AVAILABLE	2894
2924	ACCELERATE-STOP DISTANCE AVAILABLE	2924
3205	TAKE-OFF DISTANCE AVAILABLE	3353
2714	LANDING DISTANCE AVAILABLE	2764



Obstacle Number	Survey Number	Description	Latitude	Longitude	Altitude (M)	Altitude (ft)
1	4748	ROAD+4.8M	524951.9668N	0012123.2133W	95.51	313.34
2	3014	LLZ 27 OBS LT L	524948.9739N	0012123.0909W	98.13	321.95
3	2498	APPROACH LIGHT	524949.6898N	0012124.9506W	98.47	323.06
4	5125	HEDGE	524951.6310N	0012126.3947W	98.54	323.29
5	2499	APPROACH LIGHT	524949.6656N	0012126.6501W	99.15	325.30
6	5227	TREE	524949.8837N	0012127.6779W	99.65	326.94
7	2382	APPROACH LIGHT	524949.4124N	0012128.2350W	99.72	327.17
8	2501	APPROACH LIGHT	524949.8522N	0012128.2867W	99.75	327.26
9	5124	HEDGE	524947.0005N	0012128.6595W	100.33	329.18
10	2384	APPROACH LIGHT	524949.6100N	0012129.9965W	100.39	329.36
11	2385	APPROACH LIGHT	524949.5806N	0012131.7576W	101.03	331.46
12	2505	APPROACH LIGHT	524949.5390N	0012133.4585W	101.68	333.60
13	2506	APPROACH LIGHT	524949.5003N	0012135.2250W	102.34	335.76
14	2507	APPROACH LIGHT	524949.4768N	0012136.9214W	102.91	337.63
15	5002	TREE	524945.6728N	0012138.2367W	103.40	339.25
16	5116	ANTENNA	524945.5165N	0012141.0698W	104.48	342.79
17	5177	TREE	524944.9355N	0012142.4789W	105.00	344.48
18	5179	TREE	524946.1112N	0012142.9701W	105.63	346.55
19	5180	TREE	524946.4572N	0012143.1343W	106.02	347.82
20	3879	TREE	524944.4951N	0012146.2972W	107.44	352.49
21	5117	CCTV_MAST	524945.7278N	0012150.2817W	108.52	356.05
22	5182	TREE	524955.4853N	0012211.1368W	114.16	374.53

Obstacle Number	Survey Number	Description	Latitude	Longitude	Altitude (M)	Altitude (ft)
23	3001	LLZ 09 OBS R	524952.5444N	0011807.1916W	86.63	284.22
24	3018	FFM 27	524953.3235N	0011806.3909W	86.89	285.07
25	2941	FENCE	524956.3931N	0011805.2799W	87.40	286.75
25a	2945	FENCE	524955.9081N	0011805.2476W	87.45	286.91
25b	2986	FENCE	524955.3243N	0011805.2057W	87.48	287.01
26	3823	TREE	524952.0094N	0011804.3280W	87.67	287.63
27	3821	HEDGE	524954.8325N	0011804.1662W	87.75	287.89
28	3819	HEDGE	524955.2043N	0011803.8861W	87.80	288.06
28a	5310	HEDGE	524955.3818N	0011803.7487W	87.84	288.20
29	5313	TREE	524951.2201N	0011800.2061W	89.75	294.46
foreshadowed	4444	TREE	524950.7200N	0011759.9919W	89.76	294.49
29a	4440	TREE	524951.3218N	0011759.7956W	90.06	295.49
30	4429	TREE	524952.7163N	0011758.9553W	90.37	296.50
31	5339	TREE	524955.3016N	0011758.9519W	90.43	296.68
32	4435	TREE	524949.9411N	0011756.4383W	90.66	297.45
33	5316	TREE	524950.4351N	0011756.2611W	90.78	297.82
33a	4432	TREE	524950.2925N	0011756.0554W	91.31	299.58
33b	4431	TREE	524950.5321N	0011756.0389W	92.60	303.80

**LEGEND**

	PLAN	PROFILE
IDENTIFICATION NUMBER	⊕	⊕
HEIGHT AMSL	327	⊕
POLE, TOWER, SPIRE, ANTENNA, ETC.	⊙	⊕
ILS	⊕	⊕
TREE	*	⊕
FENCE	—○—	⊕
MOBILE OBSTACLE	⊕	⊕

**ORDER OF ACCURACY:** Horizontal 3m; Vertical 1ft  
**CHANGE:** NEW SURVEY  
Aerodrome information current : SEPTEMBER 2023  
Based on survey dated : DECEMBER 2022  
Chart effective date : 30 NOVEMBER 2023

